

**VRV SYSTEM****Air Conditioners**

## MODELS

**2-Way Blow Ceiling-Mounted Cassette type****FXCQ20AVEB****FXCQ50AVEB****FXCQ25AVEB****FXCQ63AVEB****FXCQ32AVEB****FXCQ80AVEB****FXCQ40AVEB****FXCQ125AVEB**

English

Deutsch

Français

Español

Italiano

Ελληνικά

Nederlands

Português

Русский

Türkçe

Thank you for purchasing this product.  
Carefully read this operation manual to ensure proper operation.  
As this operation manual is dedicated for the indoor unit, refer to also the operation manuals attached to the outdoor unit and the remote controller.  
After reading the manual, file it away for future reference.

Vielen Dank für den Kauf dieses Produktes.  
Lesen Sie diese Betriebsanleitung sorgfältig um einwandfreien Gebrauch zu garantieren.  
Da sich diese Betriebsanleitung auf das Innengerät bezieht, sollten Sie auch die Betriebsanleitungen des Außengeräts und der Fernbedienung lesen.  
Nach dem lesen der Bedienungsanleitung, bewahren Sie diese an einem sicheren Ort auf um ggf. darauf zurück zu greifen.

Merci d'avoir acheté ce produit.  
Veuillez lire attentivement ce manuel de fonctionnement pour être sûr d'utiliser le produit correctement.  
Puisque ce manuel de fonctionnement concerne uniquement l'unité intérieure, reportez-vous également aux manuels de fonctionnement joints pour l'unité extérieure et la télécommande.  
Après avoir lu le manuel d'utilisation, conservez-le afin de pouvoir vous y reporter ultérieurement.

Gracias por adquirir este producto.  
A fin de garantizar un funcionamiento correcto, lea detenidamente este manual de instrucciones.  
Debido a que este manual de instrucciones está dedicado a la unidad interior, consulte también los manuales de instrucciones suministrados con la unidad exterior y el mando a distancia.  
Una vez leído, guárdelo para futuras consultas.

Vi ringraziamo per aver acquistato questo prodotto.  
Per garantire un corretto funzionamento del dispositivo, si prega di leggere attentamente questo manuale d'uso.  
Dal momento che questo manuale d'uso concerne l'unità interna, fare riferimento anche ai manuali d'uso forniti unitamente all'unità esterna e al comando a distanza.  
Dopo aver letto il manuale, conservarlo per riferimento futuro.

Σας ευχαριστούμε που αγοράσατε αυτό το προϊόν.  
Διαβάστε προσεκτικά αυτό το εγχειρίδιο λειτουργίας για να διασφαλιστεί η σωστή λειτουργία.  
Δεδομένου ότι το παρόν εγχειρίδιο χρήσης αφορά στην εσωτερική μονάδα, ανατρέξτε επίσης στα εγχειρίδια λειτουργίας που επισυνάπτονται στην εξωτερική μονάδα και το τηλεχειριστήριο.  
Μετά την ανάγνωση του εγχειριδίου, φυλάξτε το για μελλοντική αναφορά.

Hartelijk dank voor uw aankoop van dit product.  
Lees deze bedieningshandleiding zorgvuldig door om een goede werking te garanderen.  
Deze bedieningshandleiding heeft betrekking op de binnenunit. Raadpleeg ook de bedieningshandleidingen voor de buitenunit en de afstandsbediening.  
Bewaar de handleiding, zodat u deze later nog kunt raadplegen.

Obrigado por ter adquirido este produto.  
Leia atentamente este manual do funcionamento para garantir uma operação adequada.  
Como este manual do funcionamento é específico para a unidade interior, consulte também os manuais do funcionamento que acompanham a unidade exterior e o controlo remoto.  
Depois de ler o manual guarde-o para referência futura.

Спасибо, что выбрали нашу продукцию.  
Для правильной эксплуатации устройства внимательно прочтите данное руководство.  
Поскольку данное руководство по эксплуатации посвящено только внутреннему блоку, см. также руководства по эксплуатации, имеющиеся в комплекте с внешним блоком и пультом дистанционного управления.  
Сохраните руководство для дальнейшего использования.

Bu ürünü satın aldığınız için teşekkür ederiz.  
Düzgün çalıştırma için bu kullanım kılavuzunu dikkatlice okuyun.  
Bu kullanım kılavuzu bir iç ünite ile ilgili olduğundan, dış ünite ve uzaktan kumanda ile ilgili kullanım kılavuzlarına da bakın.  
Kılavuzu okuduktan sonra daha sonra bakmak üzere kaldırın.

## CONTENTS

|  |   |
|--|---|
| 1. SAFETY PRECAUTIONS.....                     | 1 |
| 2. NAMES AND FUNCTIONS OF PARTS .....          | 3 |
| 3. MAINTENANCE<br>(FOR SERVICE PERSONNEL)..... | 4 |
| 4. SOUND PRESSURE LEVEL.....                   | 5 |

The original instructions are written in English. All other languages are translations of the original instructions.

### Important information regarding the refrigerant used

This product contains fluorinated greenhouse gases covered by the Kyoto Protocol.

|                          |       |
|--------------------------|-------|
| Refrigerant type         | R410A |
| GWP <sup>(1)</sup> value | 1975  |

<sup>(1)</sup>GWP = global warming potential

Periodical inspections for refrigerant leaks may be required depending on European or local legislation. Please contact your local dealer for more information.

## 1. SAFETY PRECAUTIONS

To gain full advantage of the air conditioner's functions and to avoid malfunction due to mishandling, please read this operation manual carefully before use.

This product comes under the term "appliances not accessible to the general public".


**This appliance is intended to be used by expert or trained users in shops, in light industry and on farms, or for commercial use by lay persons.**


**This appliance can be used by children aged from 8 years and above and persons with reduced physical, sensory or mental capabilities or lack of experience and knowledge if they have been given supervision or instruction concerning use of the appliance in a safe way and understand the hazards involved. Children shall not play with the appliance. Cleaning and user maintenance shall only be done by persons described in manual.**

**The appliance is not intended for use by unattended young children or persons who are incompetent to operate air conditioners.**

It may result in injury or electric shocks.

- **This manual classifies the precautions into WARNINGS and CAUTIONS. Be sure to follow all the precautions below: They are all important for ensuring safety.**

 **WARNING** ..... Indicates a potentially hazardous situation which, if not avoided, could result in death or serious injury.

 **CAUTION** ..... Indicates a potentially hazardous situation which, if not avoided, may result in minor or moderate injury. It may also be used to alert against unsafe practices.

- **After reading, keep this manual in a convenient place so that you can refer to it whenever necessary. If the equipment is transferred to a new user, be sure also to hand over the manual.**

 **WARNING**

**When the air conditioner is malfunctioning (giving off a burning odor, etc.), turn off the power to the air conditioner and contact your local dealer.**

Continued operation under such circumstances may result in a failure, electric shocks or a fire.

**Consult your local dealer regarding modification, repair and maintenance of the air conditioner.**

Improper workmanship may result in water leakage, electric shocks or a fire.

**Be sure to use fuses with the correct ampere reading.**

Do not use improper fuses, copper or other wiring as a substitute, as this may result in electric shocks, a fire, injury or damage to the air conditioner.

**Consult your local dealer if the air conditioner submerges owing to a natural disaster, such as a flood or typhoon.**

Do not operate the air conditioner in that case, or otherwise a malfunction, electric shocks, or a fire may result.

**Start or stop the air conditioner with the remote controller. Never use the power circuit breaker for this purpose.**

Otherwise, it may cause a fire or water leakage. Furthermore, if an automatic restart control is provided against power failure and the power is recovered, the fan will rotate suddenly and may cause injury.

**Do not use the air conditioner in the atmosphere contaminated with oil vapor, such as cooking oil or machine oil vapor.**

Oil vapor may cause crack damage to the air conditioner, electric shocks, or a fire.

**Do not use flammable materials (e.g., hairspray or insecticide) near the air conditioner.**

**Do not clean the air conditioner with organic solvents such as paint thinner.**

The use of organic solvents may cause crack damage to the air conditioner, electric shocks, or a fire.

**Do not use the air conditioner in places with excessive oily smoke, such as cooking rooms, or in places with flammable gas, corrosive gas, or metal dust.**

Using the air conditioner in such places may cause a fire or air conditioner failures.

**Beware of a fire in case of refrigerant leakage.**

If the air conditioner is not operating correctly, i.e. not generating cool or warm air, refrigerant leakage could be the cause. Consult your local dealer for assistance. The refrigerant used for the air conditioner is safe and normally does not leak. However, if the refrigerant leaks and gets in contact with a naked burner, heater or cooker, it may generate hazardous compounds. Turn off the air conditioner and call your local dealer. Turn on the air conditioner after the qualified service person makes sure to confirm that the leakage is repaired.

**Do not place objects, including rods, your fingers, etc., in the air inlet or outlet.**

Injury may result due to contact with the air conditioner's highspeed fan blades.

**Consult your local dealer regarding cleaning the inside of the air conditioner.**

Improper cleaning may cause breakage of plastic parts, water leakage and other damage as well as electric shocks.

**Be aware that prolonged, direct exposure to cool or warm air from the air conditioner, or to air that is too cool or too warm can be harmful to your physical condition and health.**

**Consult your local dealer about installation work.**

Doing the work yourself may result in water leakage, electric shocks or a fire.

**Contact professional personnel about attachment of accessories and be sure to use only accessories specified by the manufacturer.**

If a defect results from your own workmanship, it may result in water leakage, electric shocks or a fire.

**Consult your local dealer regarding relocation and reinstallation of the air conditioner.**

Improper installation work may result in leakage, electric shocks or a fire.

**Be sure to earth the air conditioner.**

Do not earth the air conditioner to a utility piping, lightning conductor or telephone earth lead.

Imperfect earthing may result in electric shocks or a fire. A high surge current from lightning or other sources may cause damage to the air conditioner.

**Be sure to install an earth leakage breaker.**

Failure to install an earth leakage breaker may result in electric shocks or a fire.

**Be sure to use a dedicated power supply for the air conditioner.**

The use of any other power supply may cause heat generation, a fire, or air conditioner failures.

**Consult your local dealer regarding what to do in case of refrigerant leakage.**

When the air conditioner is installed in a small room, it is necessary to take proper measures so that the amount of any leaked refrigerant does not exceed the concentration limit in the event of a leakage. Otherwise, this may lead to an accident due to oxygen depletion.



## CAUTION

**Children should be watched so that they do not play with the indoor unit or its remote controller.**

Accidental operation by a child may result in injury or electric shocks.

**Do not allow a child to mount on the outdoor unit or avoid placing any object on it.**

Falling or tumbling may result in injury.

**Do not let children play on or around the outdoor unit.**

If they touch the unit carelessly, injury may be caused.

**Be sure that children, plants or animals are not exposed directly to airflow from the indoor unit, as adverse effects may ensue.**

**Do not place flammable sprays or operate spray containers near the air conditioner as this may result in a fire.**

**Do not wash the air conditioner or the remote controller with water, as this may result in electric shocks or fire.**

**Do not place water containers (flower vases, etc.) on the indoor unit, as this may result in electric shocks or a fire.**

**Do not put flammable containers, such as spray cans, within 1 m from the air outlet.**

The containers may explode because the warm air from the indoor or outdoor unit will affect them.

**Turn off the power when the air conditioner is not used for long periods of time.**

Otherwise, the air conditioner may get hot or catch on a fire due to dust accumulation.

**Do not place objects in direct proximity of the outdoor unit and do not let leaves and other debris accumulate around the unit.**

Leaves are a hotbed for small animals which can enter the unit. Once in the unit, such animals can cause malfunctions, smoke or a fire when making contact with electrical parts.

**Before cleaning, be sure to stop the air conditioner operation, turn the power circuit breaker off.**

Otherwise, an electric shocks and injury may result.

**To avoid electric shocks, do not operate with wet hands.**

**Never touch the internal parts of the remote controller.**

Touching certain internal parts will cause electric shocks and damage to the remote controller. Consult your local dealer about checking and adjustment of internal parts.

**To avoid oxygen deficiency, ensure that the room is adequately ventilated if equipment such as a burner is used together with the air conditioner.**

**Do not leave the remote controller wherever there is a risk of wetting.**

If water gets into the remote controller there is a risk of electrical leakage and damage to electronic components.

**Watch your steps at the time of air filter cleaning or inspection.**

High-place work is required, to which utmost attention must be paid.

If the scaffold is unstable, you may fall or topple down, thus causing injury.

**Do not remove the outdoor unit's outlet side grille.**

The grille protects against the unit's high speed fan, which may cause injury.

**To avoid injury, do not touch the air inlet or aluminum fins of the air conditioner.**

**Do not place objects that are susceptible to moisture directly beneath the indoor or outdoor units.**

Under certain conditions, condensation on the unit or refrigerant piping, air filter dirt or drain blockage may cause dripping, resulting in fouling or failure of the object concerned.

**Do not place heaters directly below the indoor unit, as resulting heat can cause deformation.**

**Do not place appliances that produce naked flames in places exposed to the airflow from the air conditioner as this may impair combustion of the burner.**

**Do not block air inlets nor outlets.**

Impaired airflow may result in insufficient performance or trouble.

**Do not use the air conditioner for purposes other than those for which it is intended.**

Do not use the air conditioner for cooling precision instruments, food, plants, animals or works of art as this may adversely affect the performance, quality and/or longevity of the object concerned.

**Do not install the air conditioner at any place where there is a danger of flammable gas leakage.**

In the event of a gas leakage, build-up of gas near the air conditioner may result in a fire.

**Carry out drain piping properly to ensure complete drainage.**

If drain piping is not carried out properly, drain will not flow out. Then, dirt and debris may be accumulated in the drain piping and may cause water leakage. If it occurs, stop the air conditioner and call your local dealer for assistance.

• **NOTE TO SERVICE PERSONNEL**

**WARNING**

**RISK OF ELECTRIC SHOCKS OR A FIRE**

- When checking the electric components (such as the inside of the control box, fan motor, drain pump, etc.), make sure to shut off all power supply for the air conditioner.
- When cleaning the heat exchanger, make sure to remove the electronic components above.  
(If they get cleaning agent, there is a risk that the components will burn out because of insulation degradation).

**CAUTION! DANGER OF ELECTRIC SHOCKS**

- Shut off power supply before work.
- Never open the control box lid for 10 minutes after shutting off the power supply because there is residual voltage.
- After opening the control box lid, measure the residual voltage between the points shown **Fig. 1** on the Printed Circuit Board by the tester without touching the live part and confirm that the residual voltage is DC50V or below.

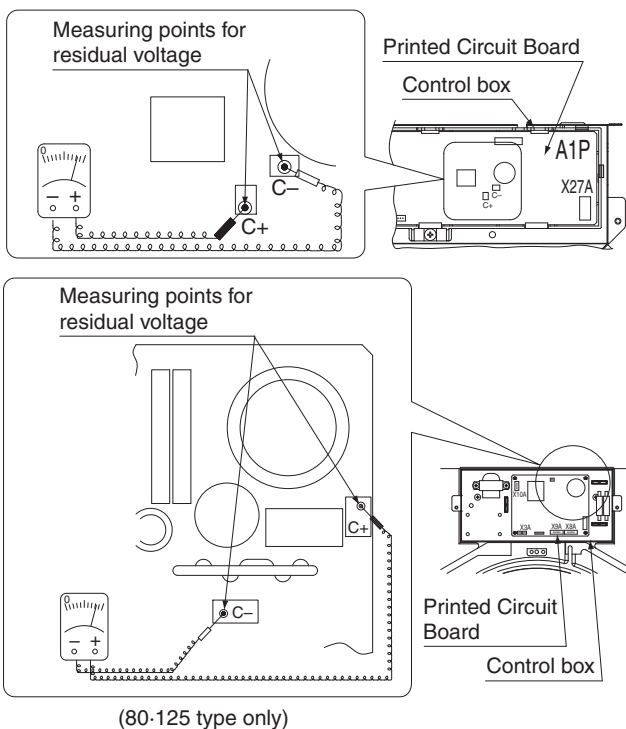
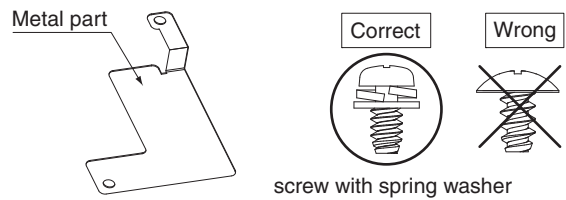


Fig.1

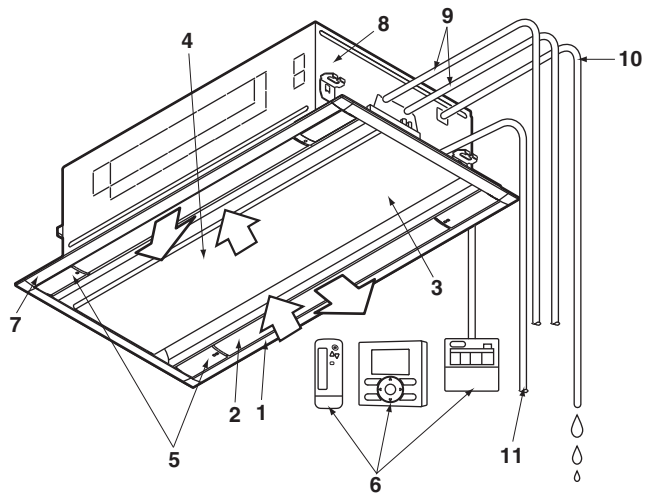
**RISK OF ELECTRIC SHOCKS**

When removing the metal part shown as below, make sure to install by screws with spring washer as the way they were. (to secure earthing route)



- After power failure, operation will restart automatically.

**2. NAMES AND FUNCTIONS OF PARTS**



|    |  |
|----|--|
| 1  | Air outlet   |
| 2  | Horizontal blade (inside air outlet)   |
| 3  | Suction panel  |
| 4  | Air filter (inside suction panel)<br>(Refer to "3. MAINTENANCE" on page 4)   |
| 5  | Air outlet identification mark (□, □ □)<br>Use this mark as a reference for setting the airflow direction. (only for BRC1E52)  |
| 6  | Remote controller (optional accessory)<br>The remote controller may not be needed depending on the system configuration.   |
| 7  | Decoration panel (optional accessory)  |
| 8  | Drain device (built-in)<br>It drains moisture in the room removed during the cooling operation.  |
| 9  | Refrigerant piping   |
| 10 | Drain piping   |
| 11 | Transmission wiring<br>Earth wiring (Note)<br>(Note) It is a wiring to let electricity flow from the indoor unit to the earth for prevention of electric shocks or a fire in case of emergency.<br>Power supply wiring |

### 3. MAINTENANCE (FOR SERVICE PERSONNEL)

**ONLY A QUALIFIED SERVICE PERSON IS ALLOWED TO PERFORM MAINTENANCE**

#### ⚠ WARNING

- Do not use flammable gas (such as hair sprays and insecticides) near the air conditioner.
- Do not wipe the air conditioner with benzine or thinner.  
It may cause cracks, electric shocks or a fire.
- Never put your fingers or rods in the air inlet, air outlet or horizontal blade.  
The fan is rotating at high speed, so you would get injured.


#### ⚠ CAUTION

- Do not wash the air conditioner with water.  
It may cause electric shocks or a fire due to leakage.
- Make sure to turn off the air conditioner when taking care of the air conditioner and disconnect the power supply breaker.  
Unless the power supply is disconnected, it may cause electric shocks and injuries.
- When working at a high place, give caution to your footing.  
If the scaffold is unstable, it may cause injuries due to fall and stumbling.

#### NOTE


- Do not remove the air filter unless for cleaning.  
It may cause failure.
- Do not attach substance (such as paper towels) other than the specified air filter to the suction inlet.  
The performance may drop and cause freeze-up/water leakage.

#### HOW TO CLEAN THE AIR FILTER

When the remote controller indicates “” or “Time to clean filter”, clean the air filter.

- It indicates after running for a certain time.

#### NOTE

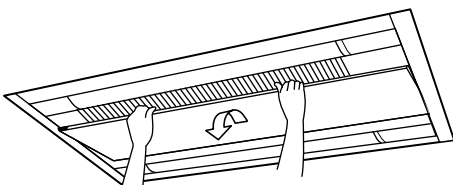
- You may change the time of indication “” or “Time to clean filter”.  
If the unit is used in a space where the air is more contaminated, ask your local dealer for solution.

| Contamination     | Time until indication is displayed     |
|-------------------|--|
| Normal            | 2500 hours (equivalent to one year)    |
| More contaminated | 1250 hours (equivalent to a half year) |

- If it becomes difficult to remove contamination from the air filter, replace the air filter.  
(Air filter for replacement is an optional accessory)

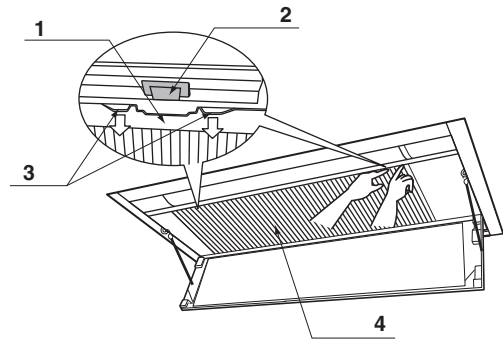
#### 1. Open the suction panel.

Hold one side of the suction panel, pull up by lifting and open the panel.



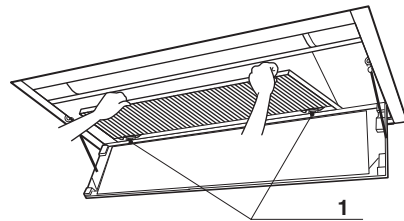
#### 2. Take out the air filter.

- 1 Push the knob of air filter to the arrow direction by both hands and remove the hooking part of air filter from the front tab one at a time.



1. Hooking part
2. Tab
3. Knob
4. Air filter

- 2 Pull the air filter and unhook from the tab at the back to remove.



1. Tab at the back

#### 3. Clean the air filter.

Clean the contamination with a vacuum cleaner or wash it with water.

If the air filter is extremely contaminated, wash it with neutral detergent using a soft brush.



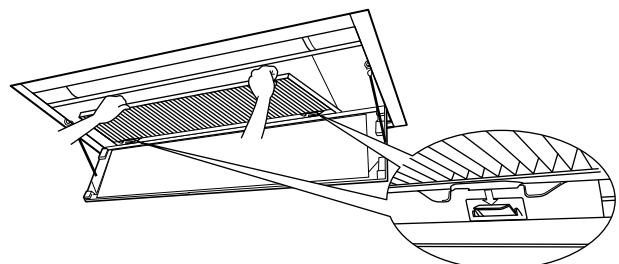
After dewatering, dry the air filter in the shade.

#### NOTE

- Do not wash the air filter with water of 50°C or higher.  
It may cause decolorization and deformation.
- Do not heat the filter with a fire.  
It may cause burning.

#### 4. Attach the air filter.

- 1 Insert the hooking part of air filter in the tab at the back.
- 2 Hook the part of air filter in the tab in front in the reverse order of removing.



#### 5. Close the suction panel.

Close the suction panel in the reverse order mentioned in the cause 1 (page 4).

#### 6. Turn off the indication “” or “Time to clean filter” displayed on the remote controller after turning on the power.

- For details, refer to the operation manual attached to the remote controller.
- The indication can be turned off whether in operation or at stop.

### HOW TO CLEAN AIR OUTLET, SUCTION PANEL, THE EXTERIOR AND REMOTE CONTROLLER

- Wipe them with a dry soft cloth.
- When the stain cannot be wiped off, dip the cloth in the neutral detergent diluted with water and twist the cloth. After wiping off stain with this cloth, wipe them with dry cloth.
- Clean the suction panel after closing it.

#### NOTE

- Do not use such as gasoline, benzine, thinner, polishing powder and liquid insecticide sold in the market. It may cause discoloration and deformation.
- Do not wash them with warm water of 50°C or higher. It may cause discolorization and deformation.

## 4. SOUND PRESSURE LEVEL

- Sound pressure level is less than 70 dB(A).

**DAIKIN INDUSTRIES, LTD.**

Head office:  
Umeda Center Bldg., 2-4-12, Nakazaki-Nishi,  
Kita-ku, Osaka, 530-8323 Japan

Tokyo office:  
JR Shinagawa East Bldg., 2-18-1, Konan,  
Minato-ku, Tokyo, 108-0075 Japan

**DAIKIN EUROPE N.V.**

Zandvoordestraat 300, B-8400 Oostende, Belgium